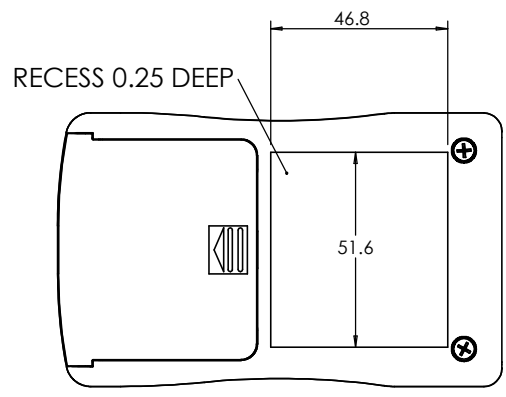
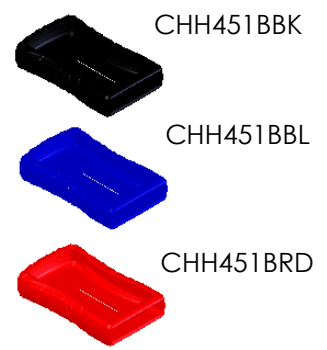
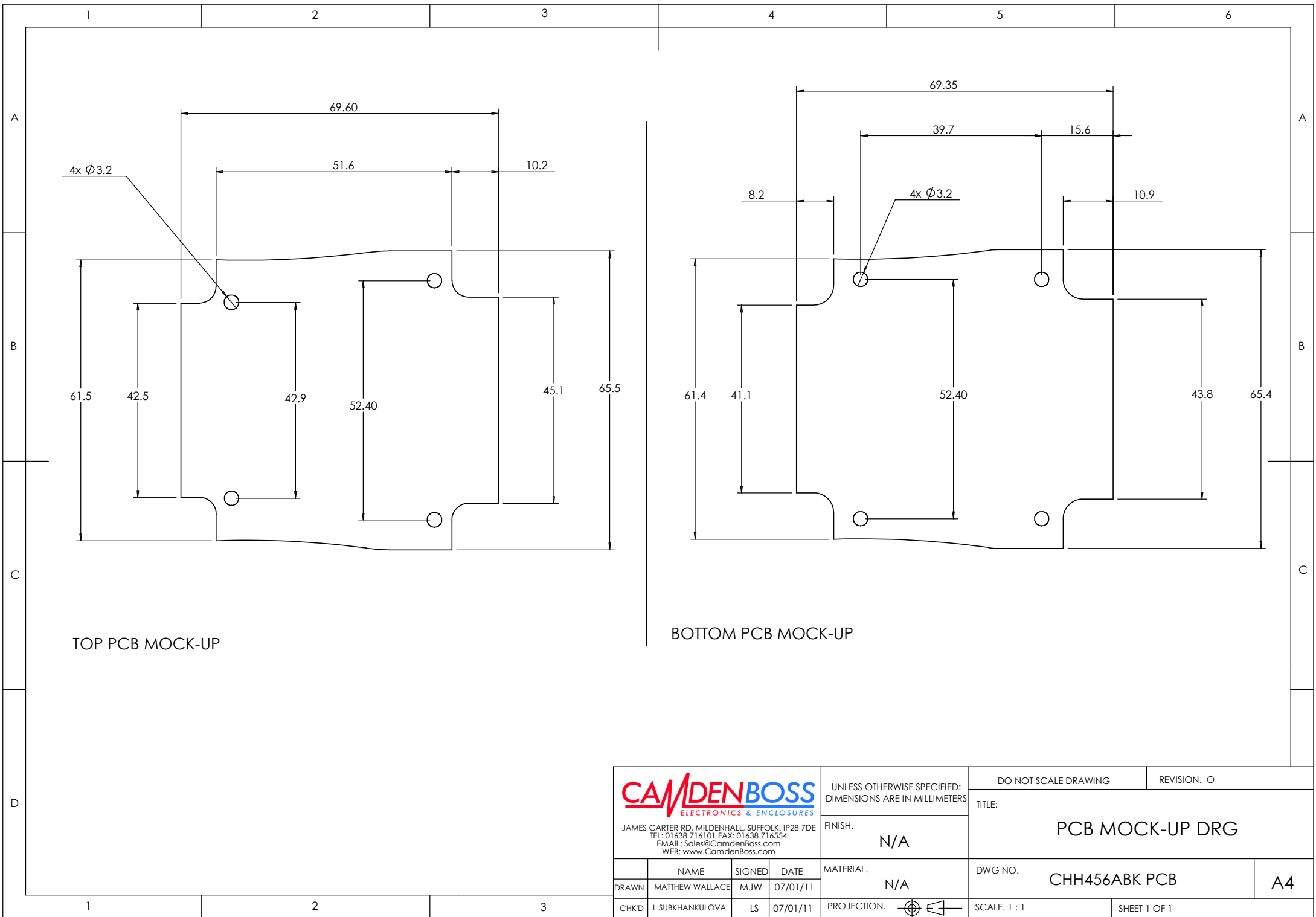


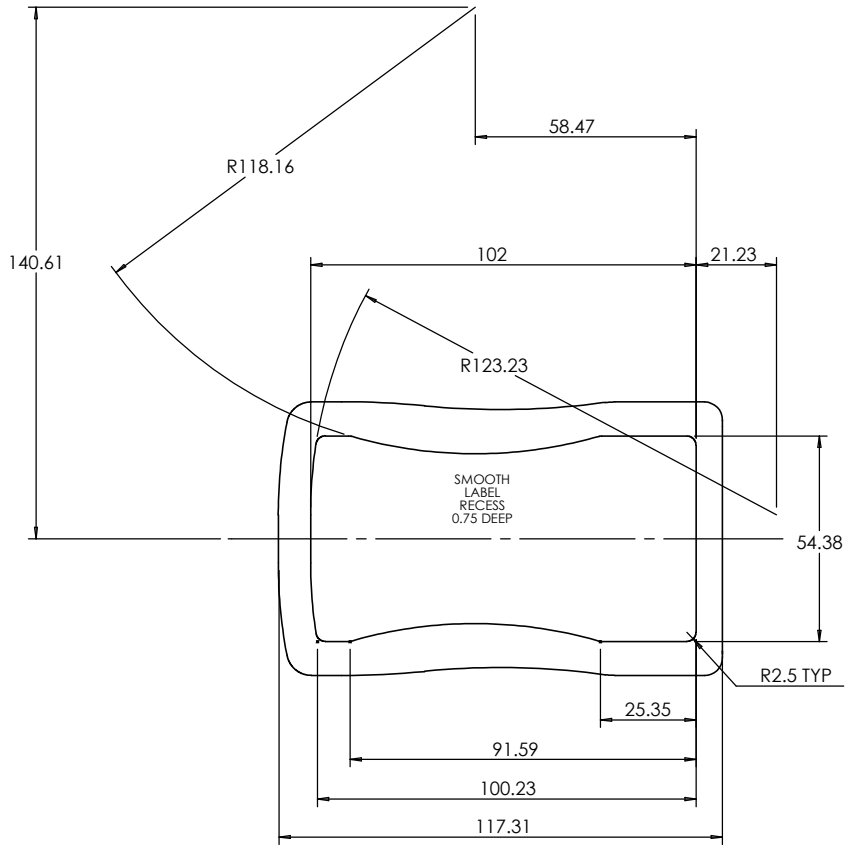
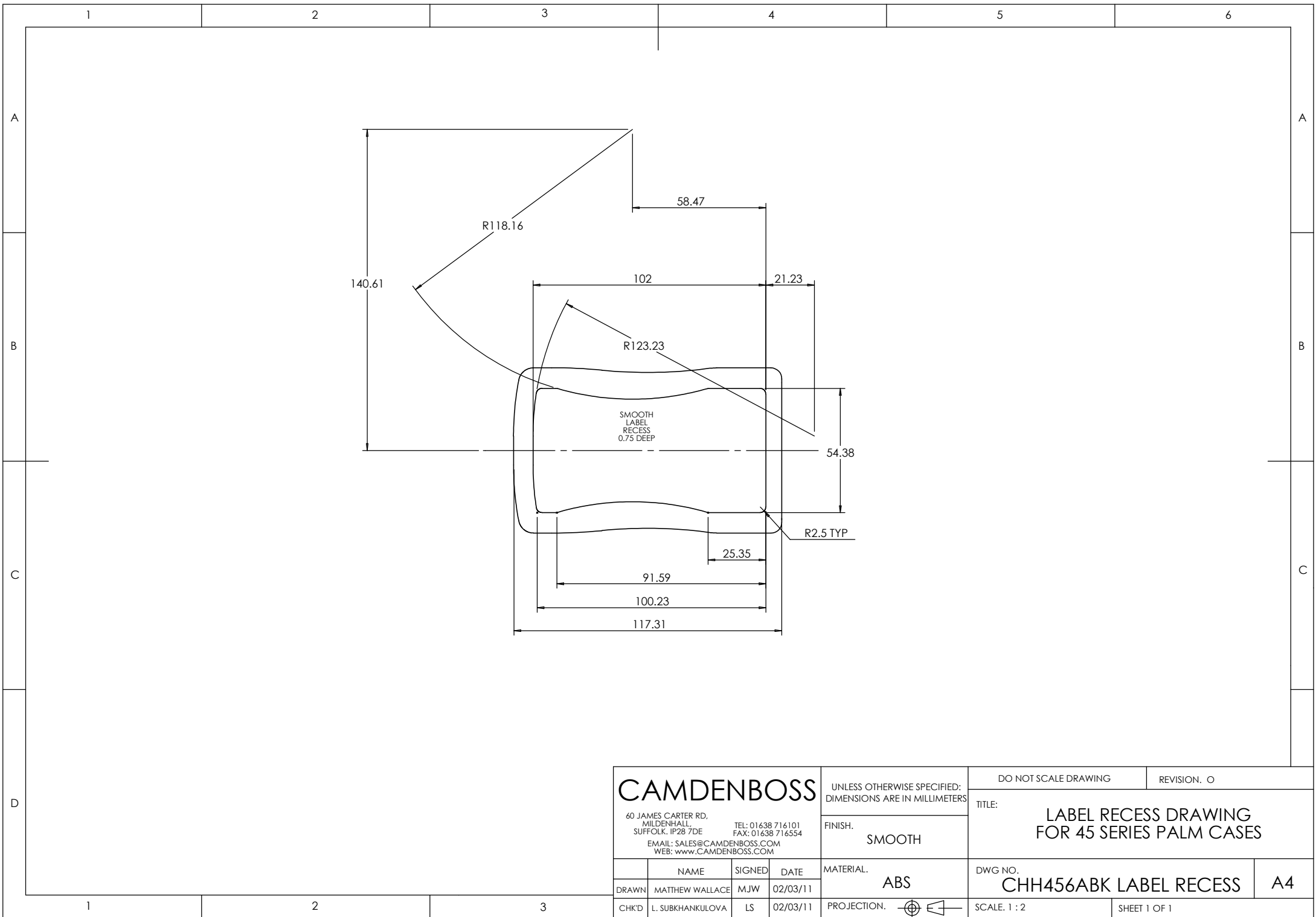
**RUBBER BOOT (OPTIONAL)**



<p><b>CAMDENBOSS</b> ELECTRONICS &amp; ENCLOSURES</p> <p>JAMES CARTER RD, MILDENHALL, SUFFOLK, IP28 7DE TEL: 01638 716101 FAX: 01638 716554 E-MAIL: Sales@CamdenBoss.com WEB: www.CamdenBoss.com</p>		UNLESS OTHERWISE SPECIFIED: DIMENSIONS ARE IN MILLIMETERS	DO NOT SCALE DRAWING	REVISION. 0		
		FINISH: FINE TEXTURE SMOOTH LABEL RECESS	TITLE: <b>GENERAL ASSEMBLY DRG FOR 45 SERIES PALM CASES</b>			
DRAWN	NAME	SIGNED	DATE	MATERIAL: UL94-5VA ABS BLACK	DWG NO. <b>CHH456ABK</b>	A4
CHK'D	L.SUBKHANKULOVA	LS	07/01/11	PROJECTION.	SCALE: 1 : 2	SHEET 1 OF 1



				UNLESS OTHERWISE SPECIFIED: DIMENSIONS ARE IN MILLIMETERS		DO NOT SCALE DRAWING		REVISION. 0	
				FINISH. N/A				TITLE: PCB MOCK-UP DRG	
JAMES CARTER RD, MILDENHALL, SUFFOLK, IP28 7DE TEL: 01638 716101 FAX: 01638 716554 EMail: Sales@CamdenBoss.com WEB: www.CamdenBoss.com				MATERIAL. N/A		DWG NO. CHH456ABK PCB		A4	
DRAWN	MATTHEW WALLACE	SIGNED	MJW	DATE	07/01/11	PROJECTION.			
CHK'D	L.SUBKHANKULOVA	LS	07/01/11	SCALE. 1 : 1		SHEET 1 OF 1			



<b>CAMDENBOSS</b> 60 JAMES CARTER RD, MILDENHALL, SUFFOLK. IP28 7DE TEL: 01638 716101 FAX: 01638 716554 EMAIL: SALES@CAMDENBOSS.COM WEB: WWW.CAMDENBOSS.COM				UNLESS OTHERWISE SPECIFIED: DIMENSIONS ARE IN MILLIMETERS		DO NOT SCALE DRAWING		REVISION. O	
				FINISH. SMOOTH		TITLE: LABEL RECESS DRAWING FOR 45 SERIES PALM CASES			
DRAWN MATTHEW WALLACE		SIGNED MJW	DATE 02/03/11	MATERIAL. ABS		DWG NO. CHH456ABK LABEL RECESS		A4	
CHKD L. SUBKHANKULOVA		LS	02/03/11	PROJECTION.		SCALE. 1 : 2		SHEET 1 OF 1	